

# TA116/21-13(CE)

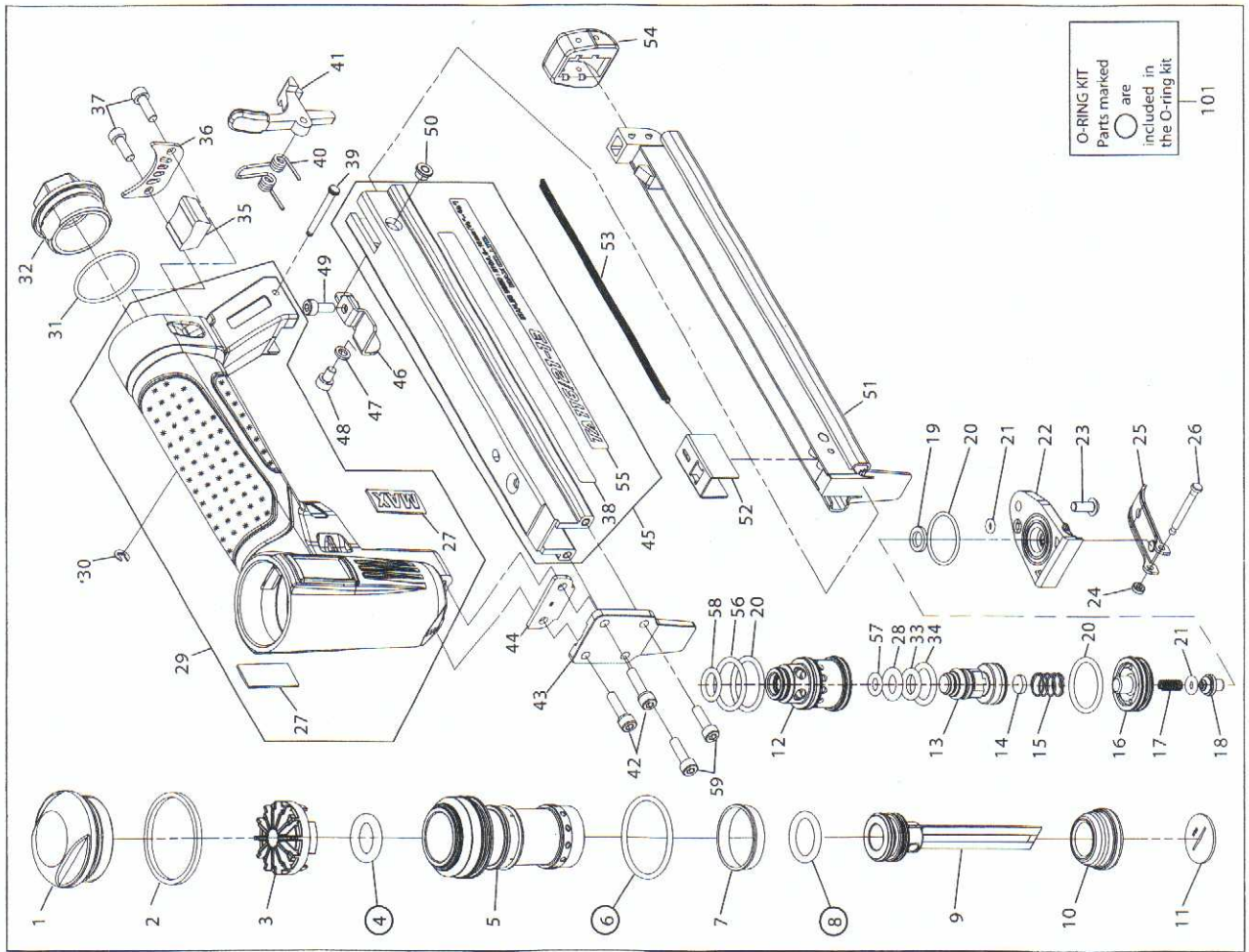
EXPLODED VIEW AND SPARE PARTS LIST

EINZELTEILDARSTELLUNG UND ERSETZTEILLISTE

SCHEMA ECLATE ET LISTE DES PIÉCES DE RECHANGE

ESPLOSO DEI COMPONENTI DE MACCHINA Y LISTA DE RECAMBIO PARTI DI RICAMBIO

DESPIECE DE LA MAQUINA Y LISTA DE RECAMBIOS



TA116/21-13(CE)

| ITEM NO. | PART NO. | MATERIAL        | ENGLISH                 | DEUTSCH                  | FRANÇAIS                      | ITALIANO                    | ESPAÑOL                        |
|----------|----------|-----------------|-------------------------|--------------------------|-------------------------------|-----------------------------|--------------------------------|
| 1        | TA18896  | Steel           | CYLINDER CAP            | ZYLINDERKOPF             | INTERIEUR                     | PARCOPIERTI                 | DOMINIO                        |
| 2        | TA18897  | Rubber          | CYLINDER CAP SEAL       | ZYLINDERKOPFDICHTUNG     | JOINT DE COUVERTE             | GUARNIZIONE COPERTURA       | GUARNIZIONE COPERTURA          |
| 3        | TA18908  | Nylon           | CYLINDER WASHER         | ZYLINDERDICHTSCHRIBE     | RONDELLE D'ÉTANCHÉITÉ         | DISCO DI CILINDRO           | ARANDELA DE CILINDRO           |
| 4        | TA18909  | Rubber          | O-RING 8909             | O-RING 8909              | JOINT TORIQUE 8909            | O-RING 8909                 | ANILLO TORICO 8909             |
| 5        | TA18898  | Aluminum        | CYLINDER                | ZYLINDER                 | CYLINDRE                      | CILINDRO                    | CILINDRO                       |
| 6        | TA18899  | Rubber          | O-RING 8899             | O-RING 8899              | JOINT TORIQUE 8899            | O-RING 8899                 | ANILLO TORICO 8899             |
| 7        | TA18900  | Rubber          | CHECK VALVE             | RÜCKSCHLAGVENTIL         | CLAPET ANTIRTOUR              | VALVOLA DI NON-RITORNO      | VALVOLA DE RETENCION           |
| 8        | TA18901  | Rubber          | O-RING 8901             | O-RING 8901              | JOINT TORIQUE 8901            | O-RING 8901                 | ANILLO TORICO 8901             |
| 9        | TA70320  | Aluminum/Steel  | MAIN PISTON UNIT        | ARBEITSKOLBENKOMPLI      | PISTON DE TRAVAIL COMPLET     | GRUPPO ANTIFORFORARE        | EMBLICO DE TRABAJO COMPLET     |
| 10       | TA18906  | Rubber          | BUMPER                  | STOSSDÄMFER              | AMORTISSEUR                   | AMMORTIZZATORE              | AMORTIGUADOR                   |
| 11       | TA18988  | Steel           | NOZZLE                  | DUSE                     | BUSE                          | UGELLO                      | TOBERA                         |
| 12       | TA18911  | Brass           | TRIGGER VALVE HOUSING   | BETRIEBMÜNDUNGSHAUSE     | EMBRÈE DE SOUFFLET            | CAPOVALVOLA                 | CAPOVALVOLA                    |
| 13       | TA18914  | Aluminum        | MAIN VALVE              | HAUPTVENTIL AUFBAU       | EMBRÈE DE SOUFFLET PRINCIPALE | VALVOLA PRINCIPALE          | VALVOLA PRINCIPAL              |
| 14       | TA18916  | Rubber          | PILOT VALVE BUMPER      | STEUERVENTIL STOSSDÄMFER | VANNE PISTON AMORTISSEUR      | VALVOLA PISTON AMORTIZADORE | VALVOLA DE CONTROL AMORTIZADOR |
| 15       | TA18917  | Steel           | COMPRESSION SPRING 8917 | DRUCKFEDER 8917          | RESSORT À PRESION 8917        | MOLLA DI COMPRESIONE 8917   | MUELLE DE COMPRESION 8917      |
| 16       | TA18918  | Aluminum        | TRIGGER VALVE CAP       | BETRIEBMÜNDUNGSKAPPEL    | CAPOVALVOLA                   | CAPOVALVOLA                 | CAPOVALVOLA                    |
| 17       | TA18919  | Steel           | COMPRESSION SPRING 8919 | DRUCKFEDER 8919          | RESSORT À PRESION 8919        | MOLLA DI COMPRESIONE 8919   | MUELLE DE COMPRESION 8919      |
| 18       | TA18921  | Steel           | TRIGGER VALVE STEM      | BETRIEBMÜNDUNGSSCHAFT    | TIGE DE SOUFFLET              | VALVOLA DI AZIONAMENTO      | VALVOLA DE ACCIONAMIENTO       |
| 19       | TA18922  | Rubber          | TRIGGER VALVE STEM SEAL | HAUPTVENTILDICHTUNG      | EMBRÈE DE SOUFFLET            | VALVOLA DI AZIONAMENTO      | VALVOLA DE ACCIONAMIENTO       |
| 20       | TA18912  | Rubber          | O-RING 8912             | O-RING 8912              | JOINT TORIQUE 8912            | O-RING 8912                 | ANILLO TORICO 8912             |
| 21       | TA18920  | Rubber          | O-RING 8920             | O-RING 8920              | JOINT TORIQUE 8920            | O-RING 8920                 | ANILLO TORICO 8920             |
| 22       | TA18923  | Nylon           | TRIGGER HOUSING         | AUSLÖSERHAUSE            | LOGEMENT DE LA DÉTENTE        | ALLOGGIAMENTO GRILLETTO     | CALA DEL DISPARADOR            |
| 23       | TA18924  | Steel           | HALF ROUND HD-HEX SCREW | SCHRAUBE                 | VIS                           | VITE                        | TORNILLO                       |
| 24       | TA18927  | Polyurethan     | RUBBER WASHER           | GUMMISCHLEIBE            | DISQUE DE CAOU                | RONDELLA IN GOMMA           | ARANDELA DE CAUCHO             |
| 25       | TA18926  | Steel           | TRIGGER                 | BETÄTTIGUNGSEBEL         | LEVIER DE COMMANDE            | PALANCA DE ACCIONAMENTO     | PALANCA DE ACCIONAMIENTO       |
| 26       | TA18925  | Steel           | STEP PIN 8925           | STUFENBOLENZPIN 8925     | BOLLON À GRADINS 8925         | PERNO SCALARE 8925          | PERNO ESCALONADO 8925          |
| 27       | TA18930  | ABS             | NAME PLATE              | MODELLZEICHENPLATE       | PLAQUE SIGNALTIQUE            | TARGHETTA                   | PLACA DE IDENTIFICACION        |
| 28       | TA18936  | Rubber          | O-RING 8936             | O-RING 8936              | JOINT TORIQUE 8936            | O-RING 8936                 | ANILLO TORICO 8936             |
| 29       | TA70315  | Aluminum/Rubber | FRAME UNIT              | GEHALSE                  | BOITIER                       | ALLOGGIAMENTO               | CARCASA                        |
| 30       | TA18953  | Steel           | E-RING                  | E-RING                   | BAGUE                         | ANILLO EN                   | ANILLO EN                      |
| 31       | TA18931  | Rubber          | O-RING 8931             | O-RING 8931              | JOINT TORIQUE 8931            | ANILLO TORICO 8931          | ANILLO TORICO 8931             |
| 32       | TA18932  | Aluminum        | END CAP                 | ABSCHLUSSKAPPE           | CAPOT DE RECOUVREMENT         | CAPERUZA DI CILINDRO        | CAPERUZA DE CILINDRO           |
| 33       | TA18967  | Rubber          | O-RING 8967             | O-RING 8967              | JOINT TORIQUE 8967            | O-RING 8967                 | ANILLO TORICO 8967             |
| 34       | TA18915  | Rubber          | O-RING 8915             | O-RING 8915              | JOINT TORIQUE 8915            | ANILLO TORICO 8915          | ANILLO TORICO 8915             |
| 35       | TA18934  | Polyester fiber | EXHAUST FILTER          | ABSALGUFILTER            | FILTRE D'ÉCHAPPEMENT          | FILTRO DI SCARICO           | FILTRO DE ESCAPE               |
| 36       | TA18934  | Steel           | EXHAUST COVER           | ABSALGHAUBE              | CAPOT D'ASPIRATION            | COPERCHIO DELLO SCARICO     | CAMPANA DE ASPIRACION          |
| 37       | TA18935  | Steel           | HEX SOC. HD. CAP SCREW  | SCHRAUBE                 | VIS                           | VITE                        | TORNILLO                       |
| 38       | TA18956  | Polyethylene    | WARNING LABEL           | WARNSCHILD               | JOINT D'AVERTISSEMENT         | SIGILLO DI AVVERTENZA       | UNTA DE AVERTENCIA             |
| 39       | TA18952  | Steel           | STEP PIN 8952           | STUFENBOLENZ 8952        | BOLLON À GRADINS 8952         | PERNO SCALARE 8952          | PERNO ESCALONADO 8952          |
| 40       | TA18950  | Steel           | TORSION SPRING          | TORSIONSFEDER            | RESSORT DE TORSION            | MOLLA DI TORSIONE           | MUELLE DE TORSION              |
| 41       | TA18951  | Steel           | CLICK LEVER             | SPERRHEBEL               | LEVIER BLOCAGE                | LEVA DI ARRESTO             | PALANCA DE BLOQUEO             |
| 42       | TA18937  | Steel           | HEX SOC. HD. CAP SCREW  | SCHRAUBE                 | VIS                           | VITE                        | TORNILLO                       |
| 43       | TA18939  | Steel           | DRIVER GUIDE            | MAGELTREIBERFÜHRUNG      | GUIDE DE PASSERIE PISTON      | GUÍA SPINGHI-CILINDRO       | GUÍA CLAVADOR                  |
| 44       | TA18930  | Steel           | WARE PLATE              | SCHLEISSPLAUE            | PLAQUE D'USURE                | PIASTRA DI USURA            | PLACA DE DESGASTE              |
| 45       | TA81255  | Aluminum        | MAGAZINE ASSY (AFTER)   | MAGAZIN KOMPL            | MAGASIN COMPLET               | GRUPPO DI CARICATORE        | TAPA GUARDAPOLVO               |
| 46       | TA18992  | Steel           | TAIL HANGER             | SCHWANZHALTER            | SUPPORT DE QUELUE             | SUPPORTO DI CODA            | SOPORTE DE COLA                |
| 47       | TA18945  | Steel           | WASHER                  | UNTERLEGSCHLEIBE         | RONDELLE                      | ROSETTA                     | ARANDELA                       |
| 48       | TA18944  | Steel           | HEX SOC. HD. CAP SCREW  | SCHRAUBE                 | VIS                           | VITE                        | TORNILLO                       |
| 49       | TA18946  | Steel           | HEX SOC. HD. CAP SCREW  | SCHRAUBE                 | VIS                           | VITE                        | TORNILLO                       |
| 50       | TA18942  | Steel           | SPECIAL NUT             | SPEZIALMUTTER            | ECROU SPECIAL                 | DADO SPECIAL                | TUERCA ESPECIAL                |
| 51       | TA18944  | Steel           | SLIDER UNIT             | SCHLITTEN-EINHEIT        | UNITÉ DU COURSEUR             | UNIDAD DEL DESLIZADOR       | UNIDAD DEL DESLIZADOR          |
| 52       | TA18930  | Steel           | PUSHER                  | SCHIEBER                 | POUSSOIR                      | SPINGITOIO                  | EMPULSADOR                     |
| 53       | TA18954  | Steel           | EXTENSION SPRING        | ZUGFEDER                 | RESSORT D'EXTENSION           | MOLLA DI ESTENSIONE         | RESORTE DE EXTENSION           |
| 54       | TA18949  | Polyurethan     | TAIL COVER              | SCHWANZDECKEL            | COUVERCLE DE QUELUE           | COOPERCHIO DI CODA          | CUBIERTA DE COLA               |
| 55       | TA18995  | Polyurethan     | NAME LABEL              | NAMENSCHILD              | JOINT DE NOM                  | SIGILLO DI NOME             | UNTA DE NOMBRE                 |
| 56       | TA18910  | Rubber          | O-RING 8910             | O-RING 8910              | JOINT TORIQUE 8910            | ANILLO TORICO 8910          | ANILLO TORICO 8910             |
| 57       | TA18913  | Rubber          | O-RING 8913             | O-RING 8913              | JOINT TORIQUE 8913            | ANILLO TORICO 8913          | ANILLO TORICO 8913             |
| 58       | TA18965  | Rubber          | O-RING 8965             | O-RING 8965              | JOINT TORIQUE 8965            | ANILLO TORICO 8965          | ANILLO TORICO 8965             |
| 59       | TA18938  | Steel           | HEX SOC. HD. CAP SCREW  | SCHRAUBE                 | VIS                           | VITE                        | TORNILLO                       |
| 101      | TA81248  | O-RING KIT      | O-RING KIT              | O-RINGSKIT               | KIT DE JOINT TORIQUE          | KIT DI O-RING               | KIT DE ANILLO TORICO           |